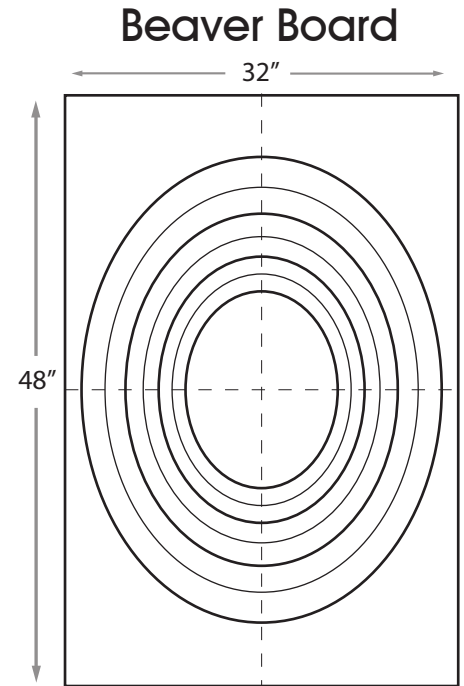
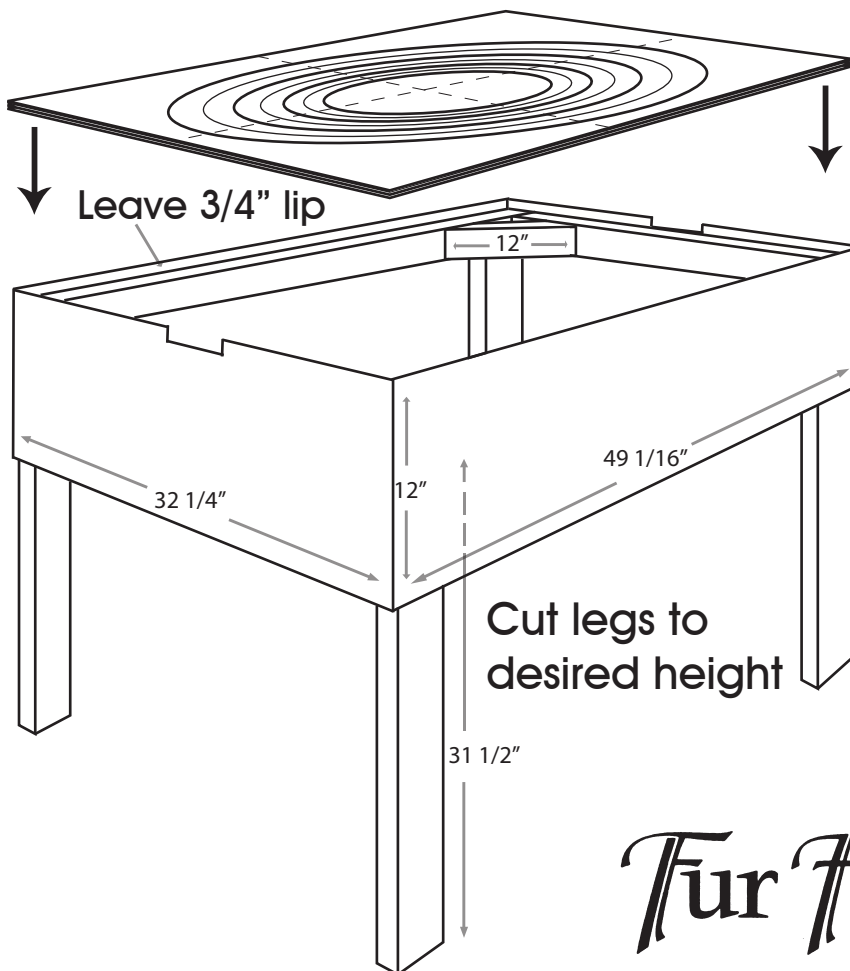


# Double Sided Beaver Table

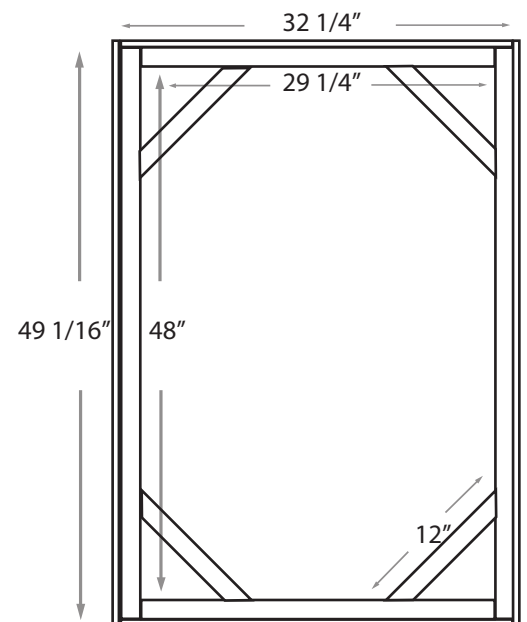
The following beaver table is a simple, inexpensive design, which allows you to utilise both sides of a board. The beaver board is used as the top of the table and can be easily reversed and the next beaver can be nailed to the opposite side.

Materials for building table only:

- 1 sheet of 4'x8'x1/2" plywood
- 4 pieces of 2"x4"x8'
- 30 1 1/4" Wood Screws
- 20 3" Wood Screws



For best results, use a 4'x8'x3/4" sheet of plywood. This will produce 3 boards at 32"x48". Trace pattern on both sides of your board.



*Fur Harvesters*  
AUCTION INC.

